

Workbench

Instructions for Assembly



Technical Electronic Workstations
and Industrial Workbenches

Includes: Cabinets
Privacy Panels
Stringers
Bottom Shelves

Table of Contents

Tools Required for Assembly.....	2
Fastener Guide	2
Drilling Worksurfaces	3
Assembling Legs	4
Attaching Legs	5
Attaching Formed Leg Reinforcement Panel.....	6
Attaching Reinforcement Panels to Multiple Legs.....	7
Attaching Cabinets	8
Privacy Panel Installation	9-11
Stringer Assembly.....	12
Bottom Shelf Assembly	13-14

Before Assembling the Workbench

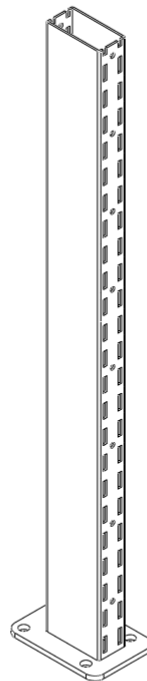
If the Nexus Accessory System will be installed:

Drill the worksurface and install inserts before assembling the workbench.

See Nexus Accessory System, Instructions for Assembly.

Read through the assembly instructions to familiarize yourself with the order in which components are assembled. It is important to assemble the components in the sequence described in this manual.

For technical support or questions, call 1-800-722-3020



Worksurface and Accessories made by non Lista manufacturers:

Lista International Corporation is not responsible for the quality, construction, or assembly of other manufacturer's products when used in conjunction with Lista's products. Refer the products manufacturer's assembly instructions for installation requirements. Lista International Corporation does recommend maintaining a minimum distance from the worksurface edge when using other manufactures worksurfaces and accessories. See page 3.

Tools Required for Assembly

Sockets or Open End Wrenches

- 3/8"
- 1/2"
- 7/16"
- 3" to 6" drive extension for sockets

Screw Drivers

- # 2 Phillips Screw Driver
- Slotted Screw Driver

Drill Bits

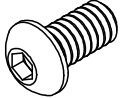
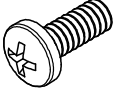
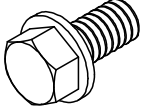
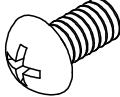
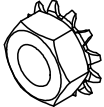
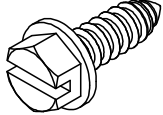

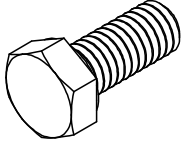

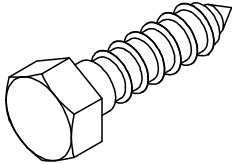
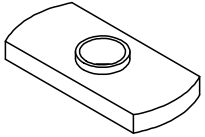
- 13/64" (0.203")
- 5/32" (0.156")

General Tools

- Hammer
- Electric Drill
- Measuring Tape
- Center Punch
- Flat Punch

Fastener Guide

Only the fasteners for the accessories ordered will be shipped

<p>Button Socket Head Screw 1/4-20 x 1/2"</p> 	<p>Phillips Pan Head Screw 10-24 x 1/2", Self-Tapping</p> 
<p>Hex Washer Head Bolt 1/4-20 x 1/2", Self-Tapping,</p> 	
<p>Phillips Head Round Screw 1/4-20 x 1/2"</p> 	<p>Nut, 1/4-20, Hex Kep</p> 
<p>Slotted Hex Head Screw #14 x 3/4"</p> 	<p>Nut, 5/16-18, Hex Flange Head</p> 
<p>Hex Head Bolt 5/16-18 x 3/4"</p> 	<p>Shoulder Washer, #10</p> 
<p>Lag Screw 5/16 x 1-1/4"</p> 	<p>Plate Nut, 1/4-20</p> 

Drilling Worksurfaces

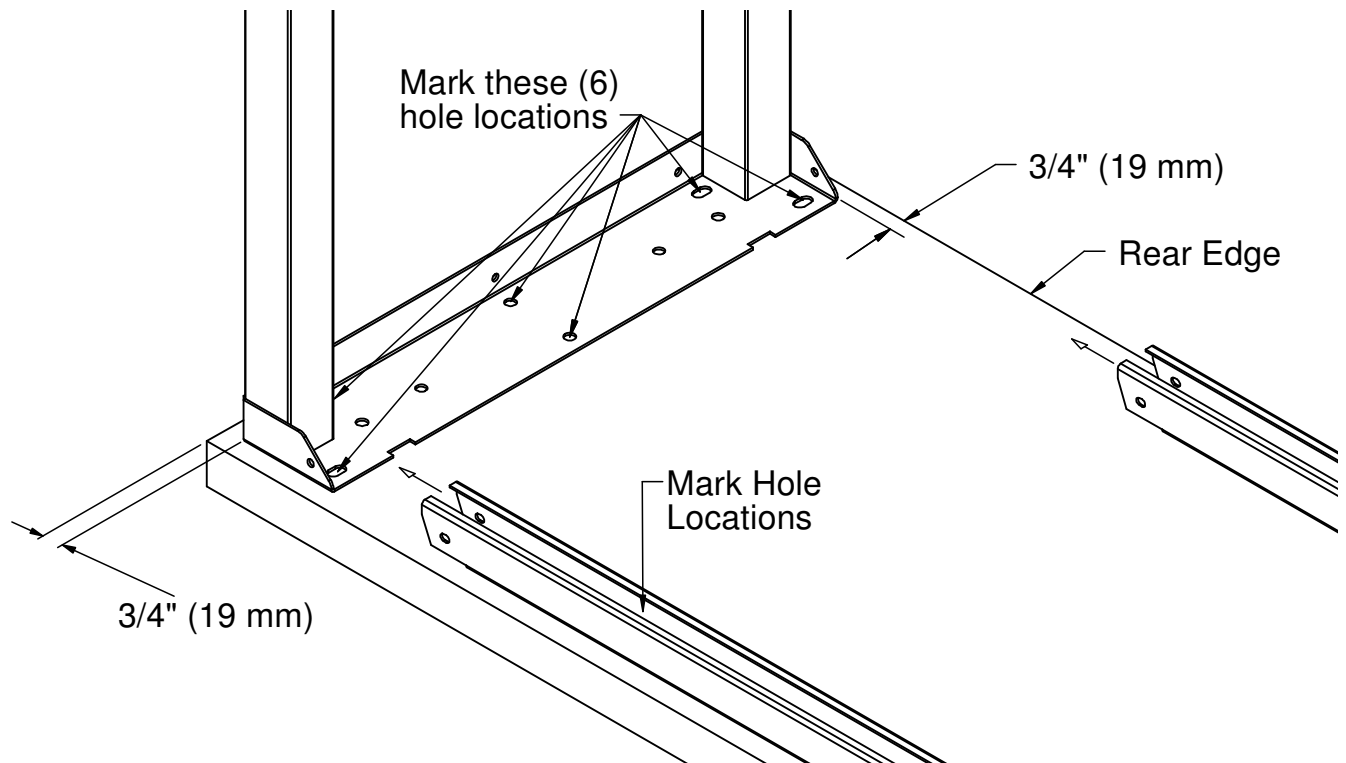
Most Lista worksurfaces are predrilled with pilot holes. Pre-drilling for Top Support Rails and resin tops is not done at the factory. Follow the steps below for these and other work surfaces not provided by Lista.

- a) Place the worksurface up-side-down on a protective surface such as corrugated cardboard (shipping carton) to protect the surface.
- b) Use the Illustration below to place the legs, cabinets and rails (if applicable) in position on the bottom of the worksurface. Cabinets and Legs should be placed $\frac{3}{4}$ " (19 mm) from the rear and side edges of the worksurface.

Before positioning cabinets

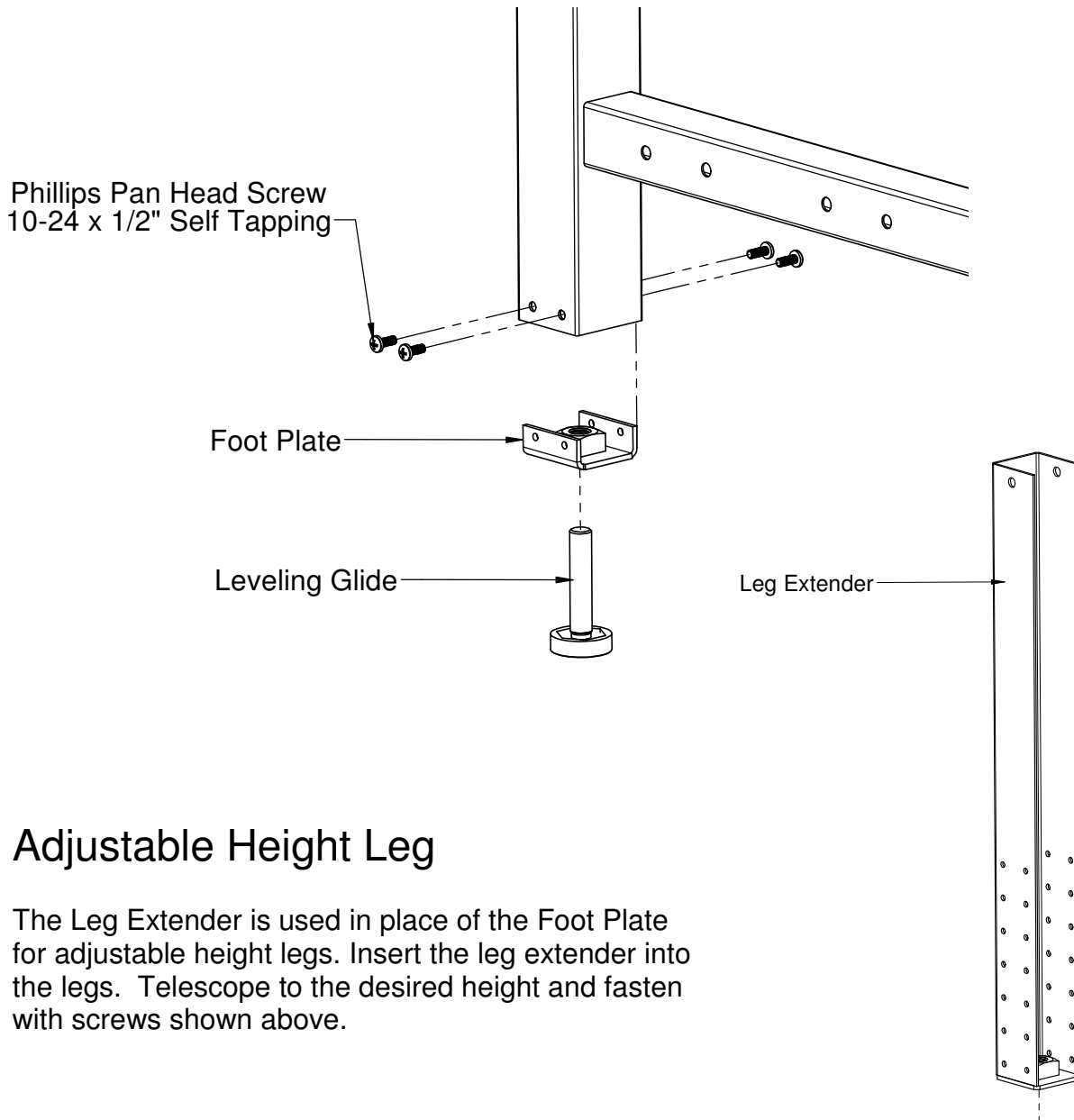
Remove drawers to access the hole knock-outs at the top of the cabinet (See drawer removal instructions provided with the cabinet). Using a flat punch tap and remove the knock-outs at the corners of the cabinets.

- c) Trace the hole locations onto the underside of the worksurface. Remove the components and drill a pilot hole at each marked location.
Legs - Use $\frac{13}{64}$ " diameter pilot hole for all tops.
Rails - Use $\frac{13}{64}$ " diameter for resin tops. Use $\frac{5}{32}$ " for butcher block and laminate tops
Drill depth is equal to the fastener length.



Assembling Legs

- a) Thread the leveling into the Foot Plate.
- b) Tap the Foot into the bottom of the leg column.
Fasten with four Phillips Head Screws

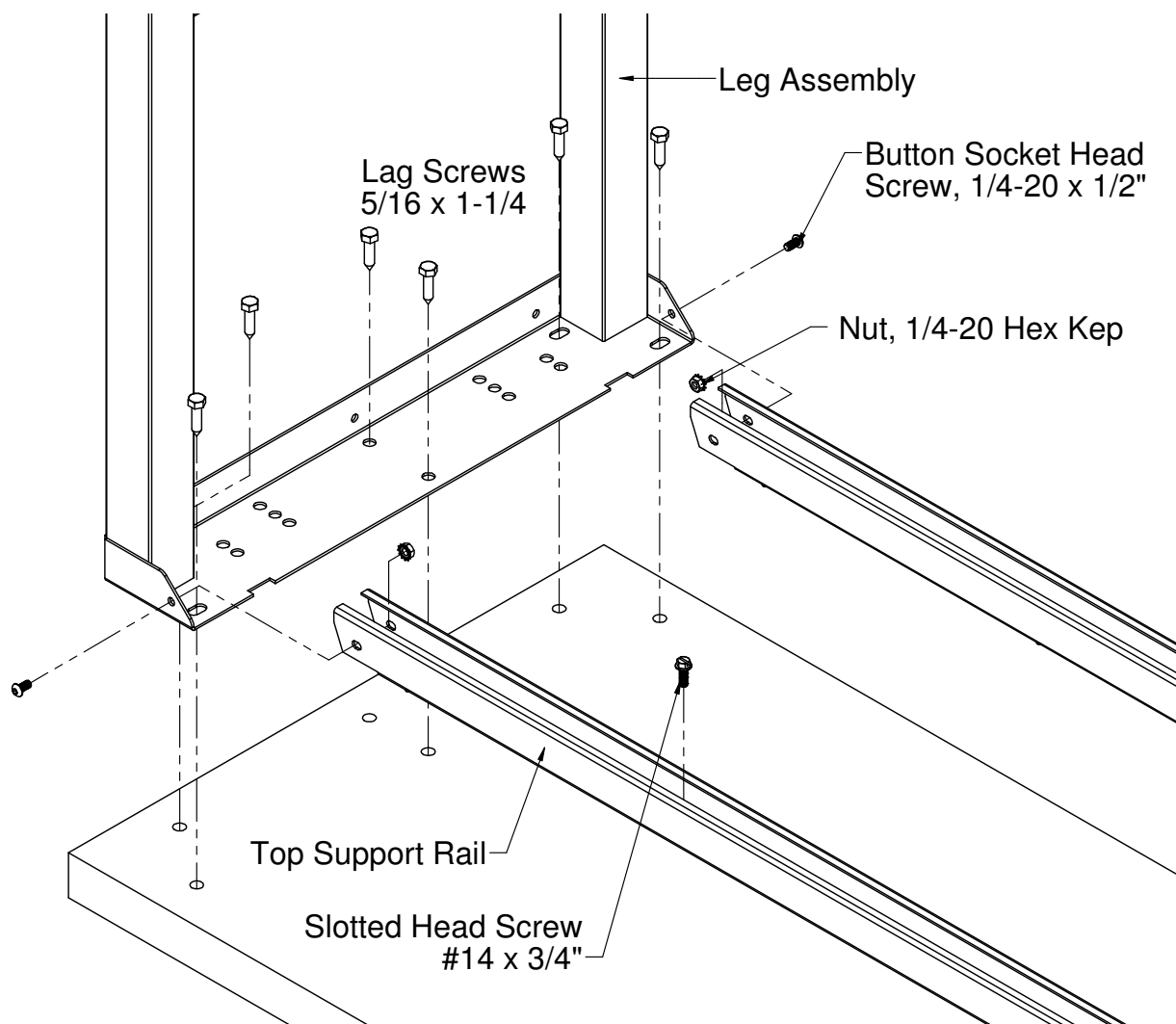


Adjustable Height Leg

The Leg Extender is used in place of the Foot Plate for adjustable height legs. Insert the leg extender into the legs. Telescope to the desired height and fasten with screws shown above.

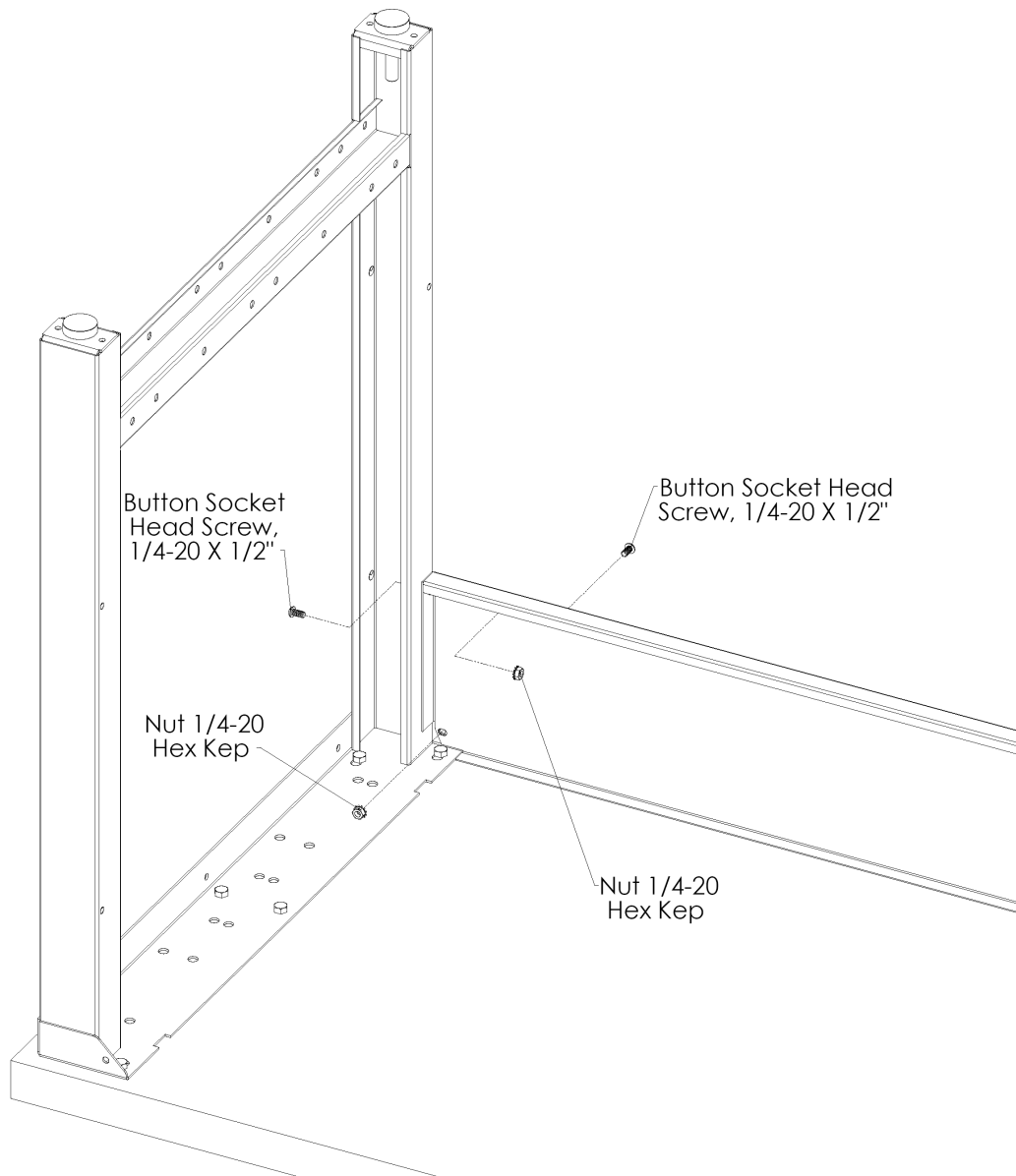
Attaching Legs

- a) Place the worksurface up-side-down on a protective surface such as corrugated cardboard (shipping carton) to protect the surface.
- c) Align the hole pattern of the legs with the hole pattern in the worksurface. Drive the six Lag Screws (5/16 x 1-1/4") into the predrilled holes to support each leg.
For Resin tops – Use Slotted Hex Head Screws (#14 x 3/4") instead of Lag Screws. Do not fully tighten if the workbench has top support rails.
- d) For benches with Top Support Rails: (Used with tubular legs only)
See page 4 for drilling instructions
Fasten the end of the rails to the leg assemblies using Button Socket Head Screws (1/4-20 x 1/2") and nuts. Tighten all fasteners. Fasten the rails to the worksurface using Slotted Hex Head Screws (#14 x 3/4").



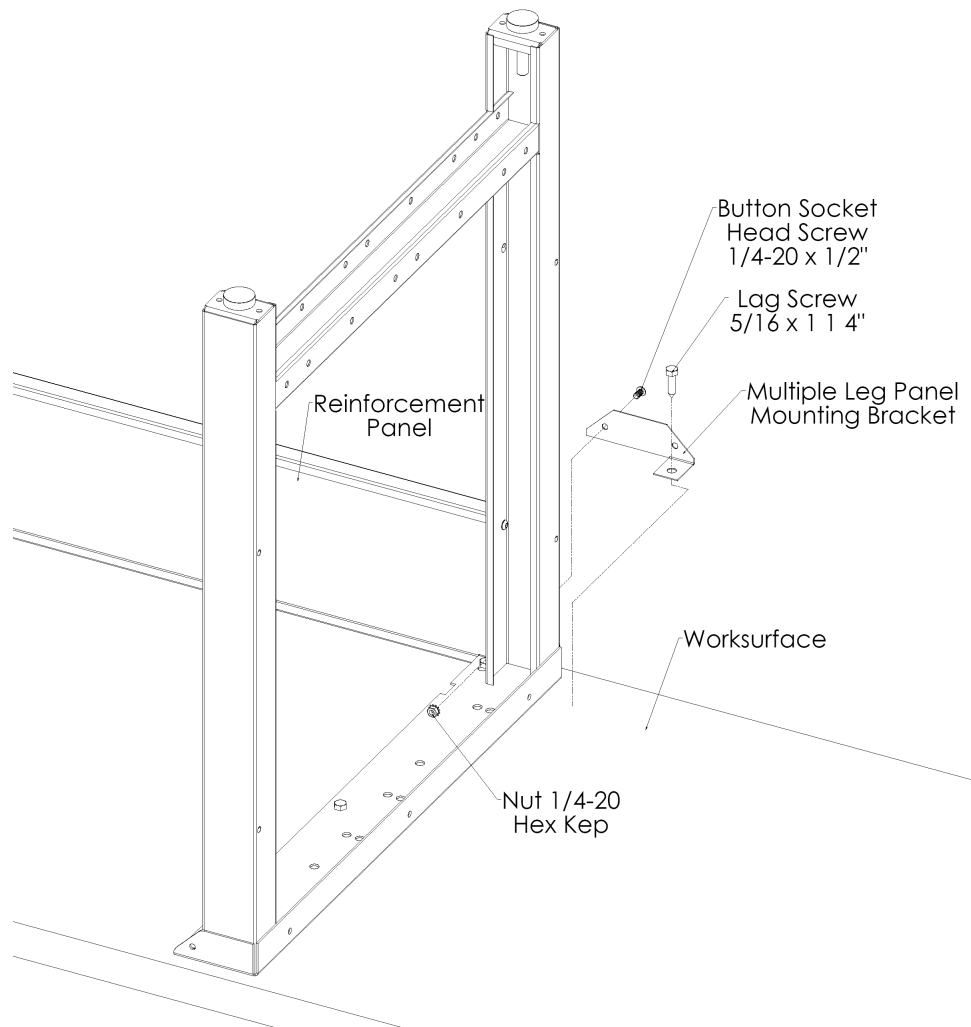
Attaching Formed Leg Reinforcement Panel

- a) Used for benches with WBLL formed style legs only. Not to be used with cabinets.
- b) Locate the flush knockouts on the inside of the rear leg posts.
- c) Remove these knockouts towards the inside of the leg post
- d) Locate the reinforcement panel inside the angled flange of the leg top cross members
- e) Align the hole pattern on the reinforcement panel with the hole pattern in the leg posts and leg top cross members
- f) Fasten the ends of the reinforcement panel to the legs using Button Socket Head Screws (1/4-20 x 1/2") and Hex Kep nuts (1/4-20). Tighten all fasteners.



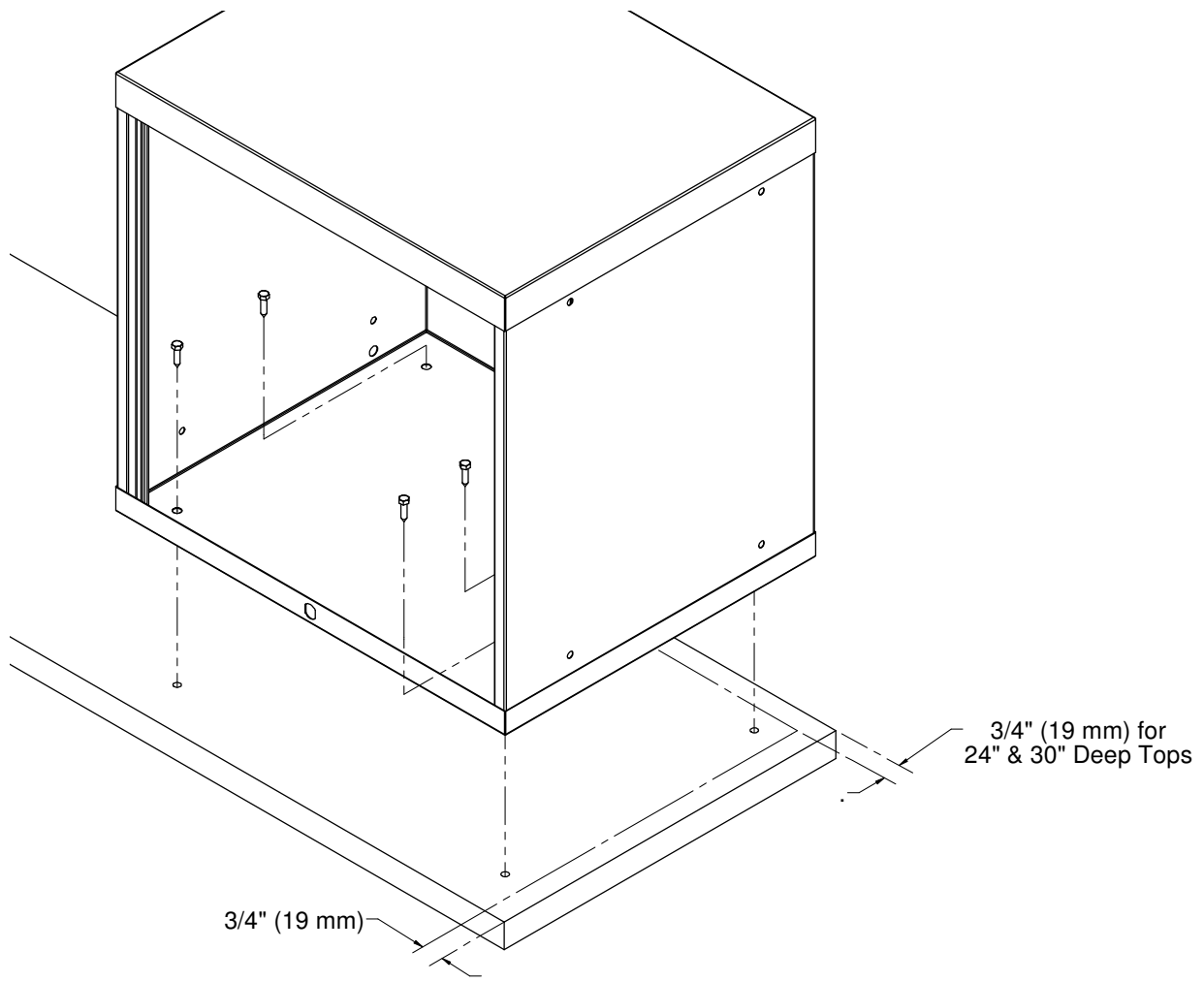
Attaching Reinforcement Panels to Multiple Legs

- a) Used for benches with WBLL formed style legs only. Not to be used with cabinets.
- b) Locate a Multiple Leg Panel Mounting Bracket against the rear top cross member of each center leg to form a second angled flange on the top rear of the leg.
- c) Trace the hole location in the small tab onto the bottom of the worksurface. Remove the mounting bracket and drill a pilot hole at the marked location. Use 13/64" diameter for resin tops. Use 5/32" for butcher block and laminate tops. Drill depth is equal to the fastener length.
- d) Re-locate the Multiple Leg Panel Mounting Bracket against the rear top cross member of each center leg.
- e) Drive a Lag Screw (5/16 1 1/4") into the pre-drilled hole.
- f) Follow the instructions to attach a Formed Leg Reinforcement Panel.



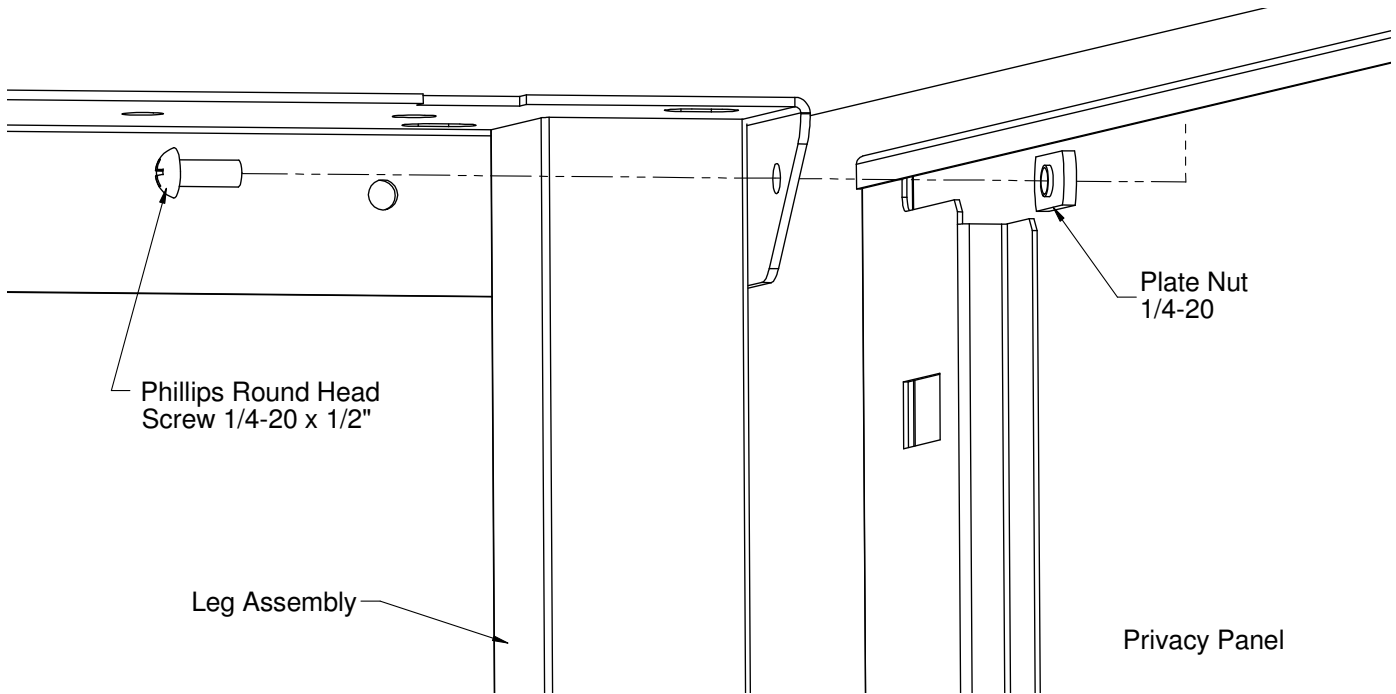
Attaching Cabinets

- a) Remove drawers from the cabinet to access the hole knock-outs at the top of the cabinet. (See drawer removal instructions shipped with cabinet). Using a flat punch tap and remove the knock-outs at the corners of the cabinets.
- b) Place the worksurface up-side-down on a protective surface such as corrugated cardboard (shipping carton) to protect the surface. Place the cabinet in position (up-side-down) on the bottom of the work surface. If there is a front orientation to the worksurface such as a bullnose edge, face the cabinet appropriately. Align the holes in the cabinet with the pre-drilled holes in the work surface. If not predrilled see page 4.
- c) Drive four Lag Screws (5/16 x 1-1/4") into the predrilled holes to fasten the cabinet. For Resin Tops – Use Slotted Hex Head Screws (#14 x 3/4") instead of Lag Screws.



Privacy Panel Installation

For L-shaped configurations and for benches placed side by side Corner Connectors or Panel to Panel Connectors can be ordered to fill in the spaces between panels. Legs and/or cabinets should be mounted to work-surface before installing Privacy Panel.

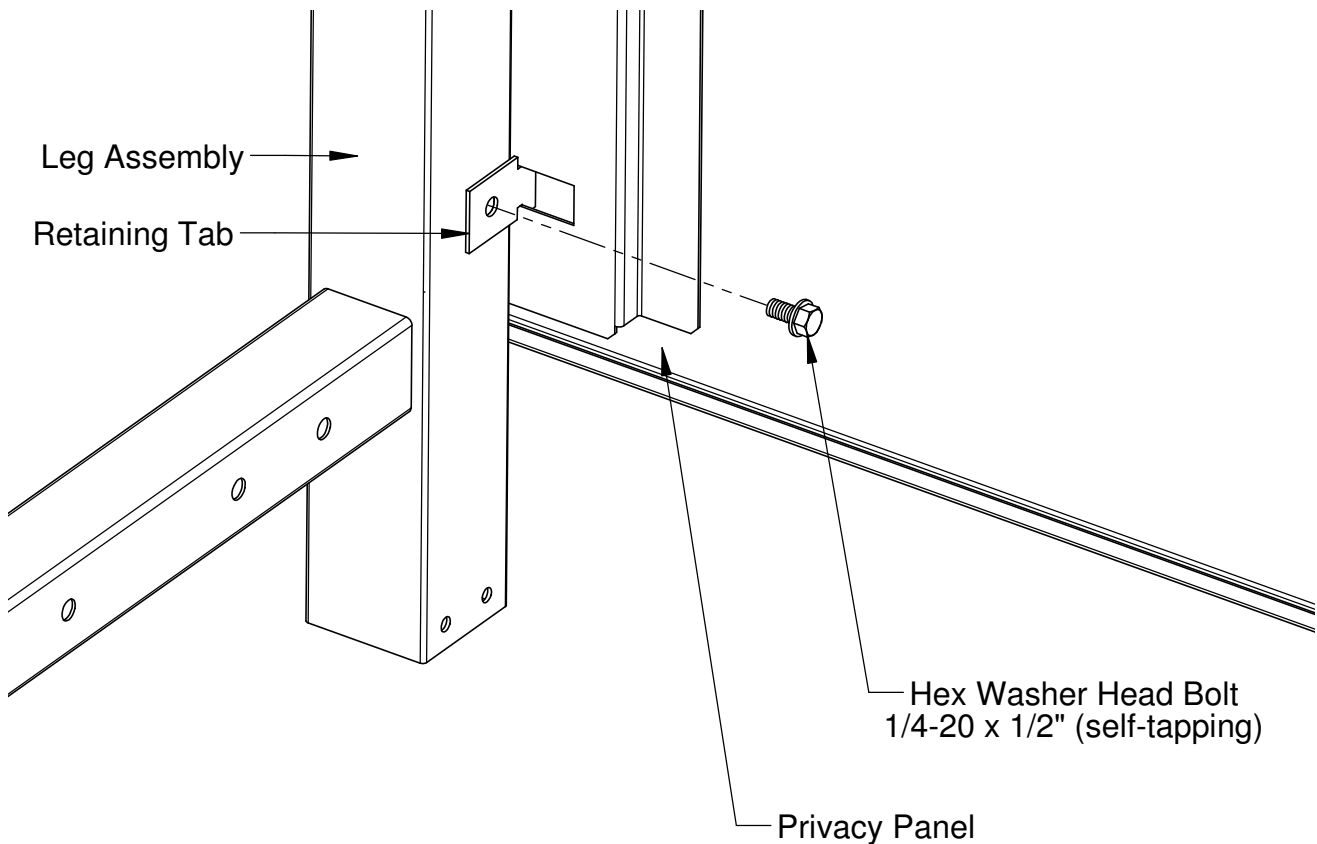


To install Privacy Panel to legs:

- a) Install the Phillips Head Screws and Plate Nuts through the holes in leg assemblies as shown above. Leave as loose as possible. Repeat for the opposite leg
- b) Place lip of the Privacy Panel over the plate nut on one leg. Slide the panel toward the opposite leg and place lip of the panel over the plate nut.
- c) Center the panel and tighten the screws.
- d) Insert the Retaining Tab in the rectangular opening (See figure at the top of next page). Notches in the tab should engage the edges of the opening

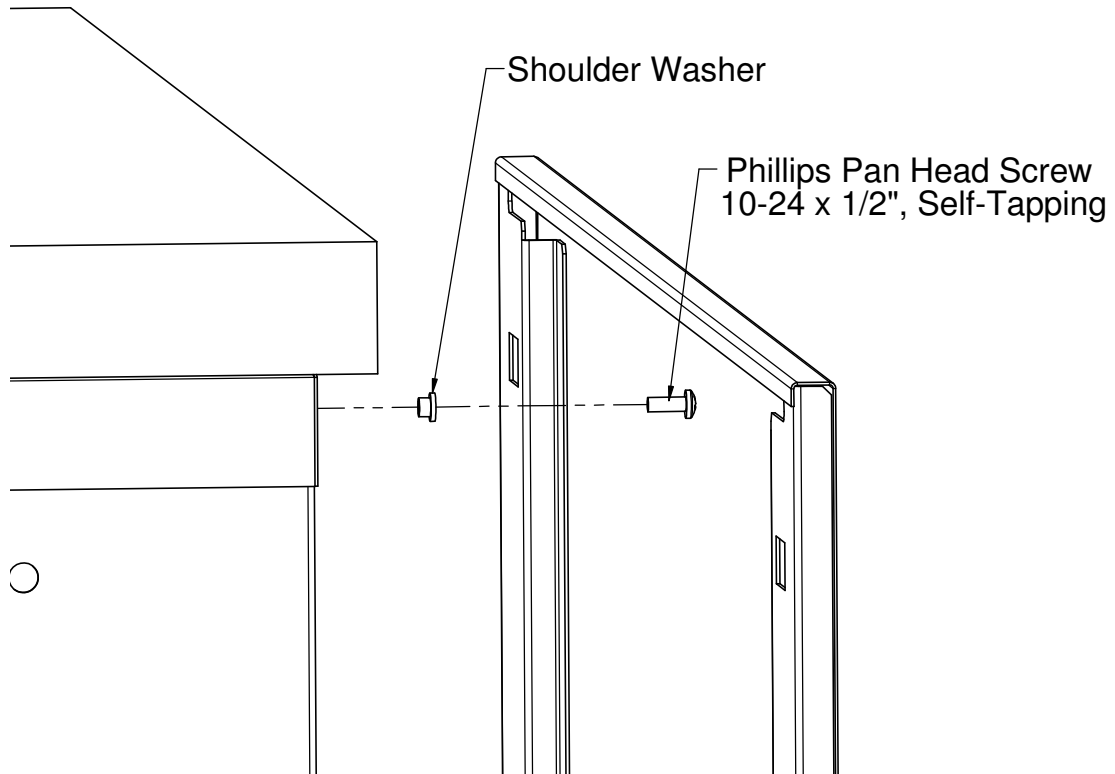
Privacy Panel Installation (continued)

- e) Fasten the Retaining Tab to the Leg Assembly with Hex Washer Head, Bolts ($\frac{1}{4}$ - 20 x $\frac{1}{2}$ " , self tapping) into the hole provided.



Installing Privacy Panels on Cabinets:

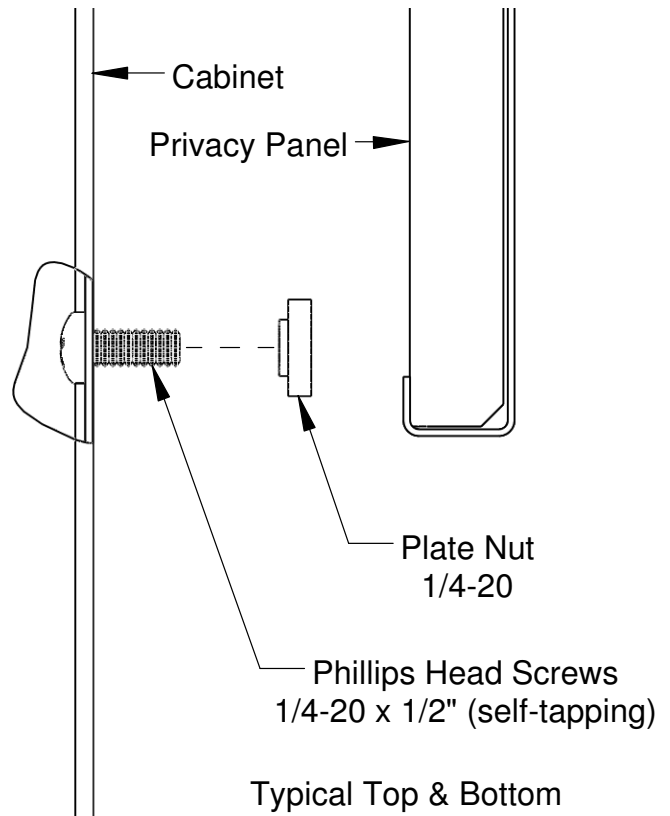
- a) Fasten two Shoulder Washers to the back of the cabinet using Phillips Head Screws (10-24 x $\frac{1}{2}$ " self-tapping) into the holes provided (See next page). Use the two holes (upper and lower) furthest from the center of the worksurface.
- b) Hook the lip of the modesty panel over the Shoulder Washer and slide to center the panel under the top. The lower Shoulder Washer should slide into the slot at the bottom of the panel (not shown).



For Mobile Applications:

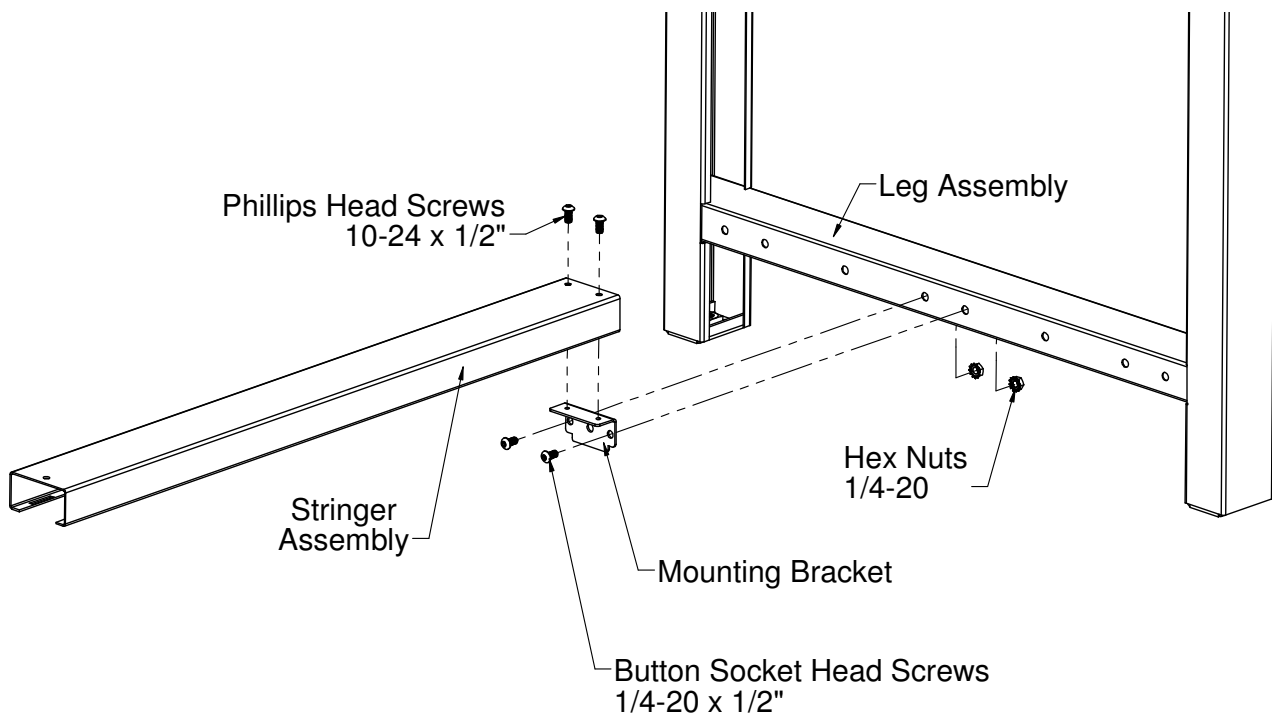
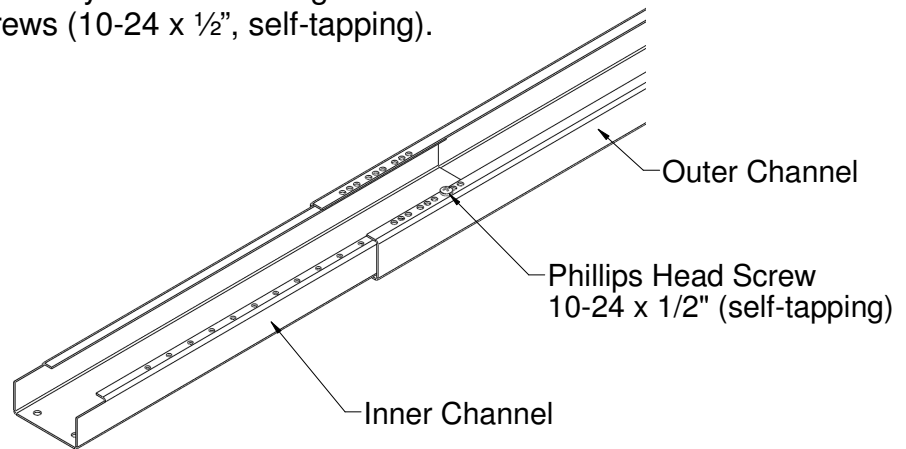
1/4-20 screws with Plate Nuts can be used lieu of 10-24 screws and Shoulder Washers. Drawers need to be removed and the holes enlarged to 1/4" diameter.

- a) Loosely install Phillips Head Screws (1/4-20 x 1/2") and Plate Nuts into cabinet.
- b) Hook the lip of the privacy panel over the Plate Nuts and tighten the screws.



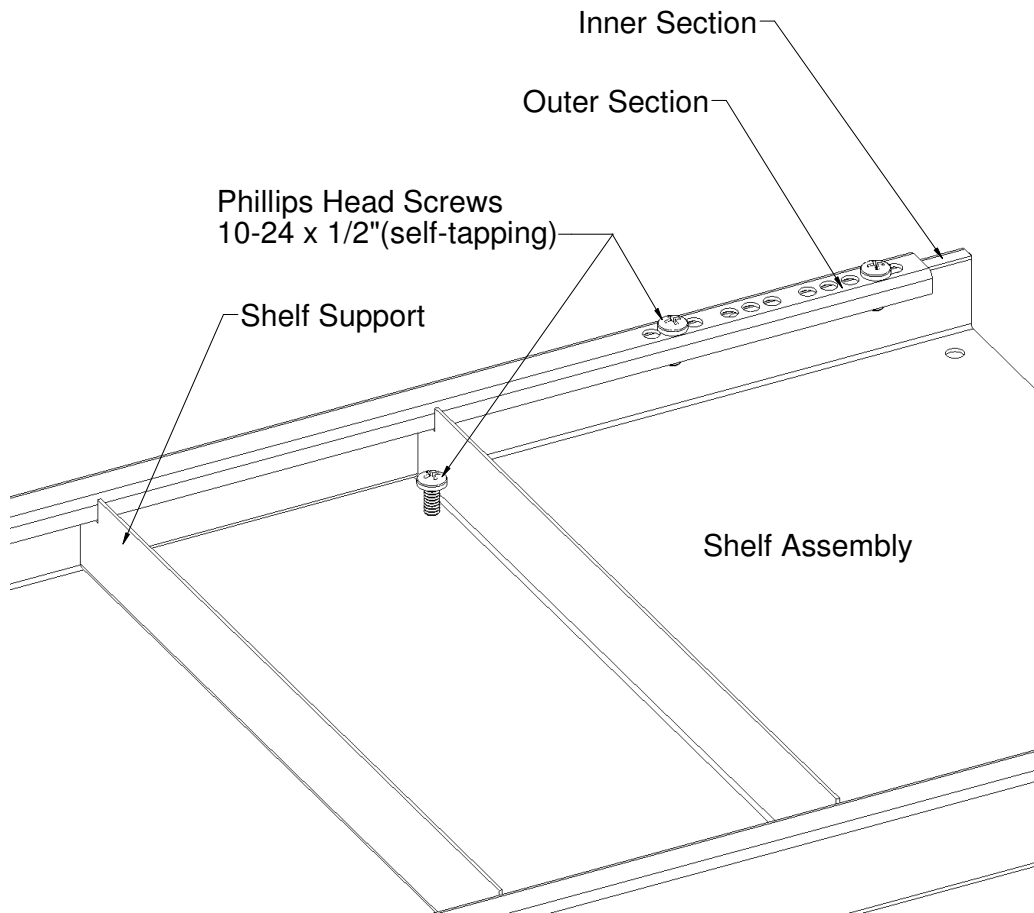
Stringer Assembly

- a) Align the holes in the Stringer Mounting Brackets with the holes leg stretchers or cabinet. Fasten together using Button Socket Head Screws (1/4-20 x 1/2") and Nuts.
- b) Insert the Inner Channel into the Outer Channel. Set the assembly on the mounting brackets and telescope fully outward. Place a pencil mark on the on the under-side of the inner channel at the seam.
- c) Remove and turn the channels up-side-down. Maintain the channel positions as marked and fasten the channels together using one Phillips Head Screw (10-24 x 1/2", self-tapping). The channels may need to be shifted slightly to line up the holes.
- d) Fasten the channel assembly to the Mounting Brackets with Phillips Head Screws (10-24 x 1/2", self-tapping).

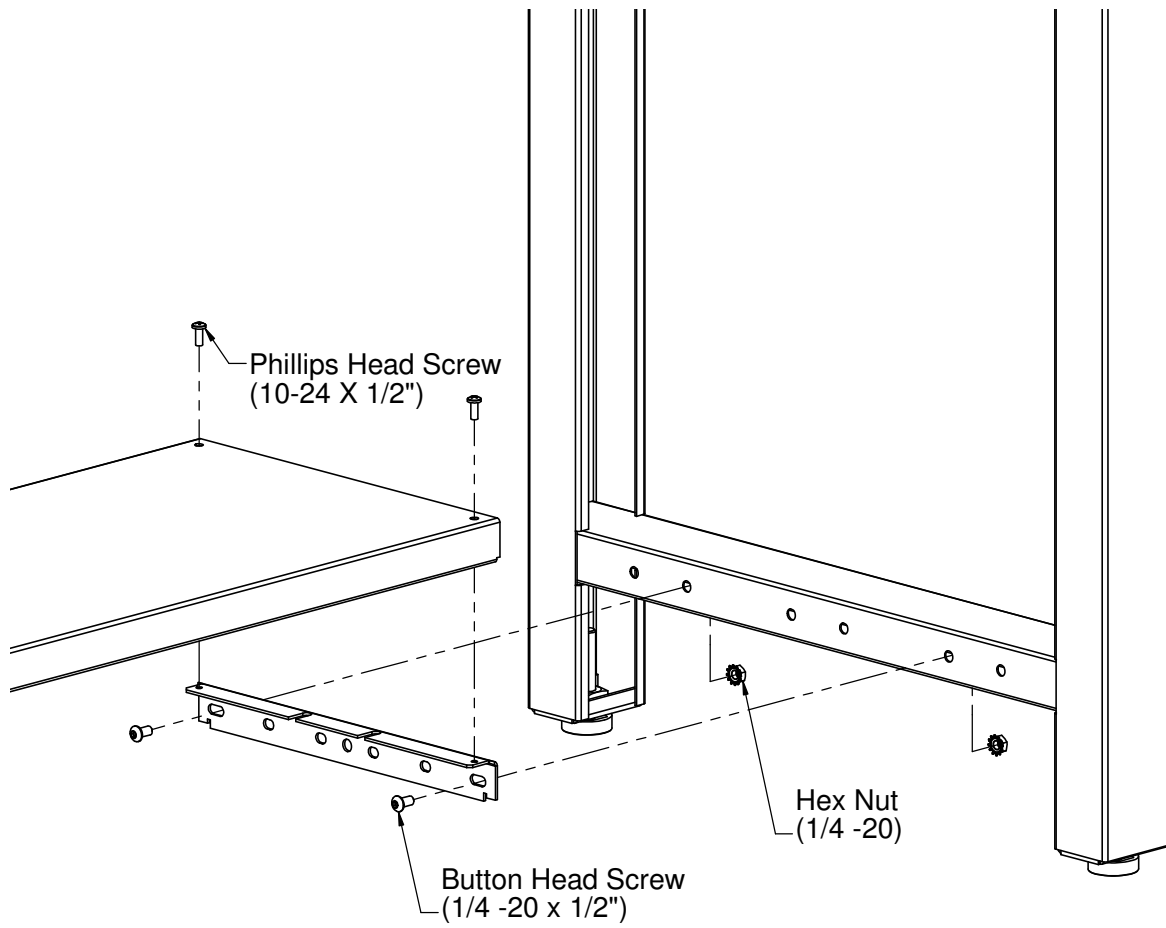


Bottom Shelf Assembly

- a) Align the holes in the Bottom Shelf Mounting Brackets with the holes in the leg stretchers or cabinet side. Fasten together using button socket head screws (1/4-20 x 1/2") and nuts. (See page 13)
- b) Insert the Inner Shelf Section into the Outer Section. Set the assembly on the mounting brackets and telescope fully outward. Place a pencil mark on the on the under-side of the inner shelf at seam.
- c) Remove and turn the shelves up-side-down. Maintain the shelf positions as marked and fasten the shelves together using four Phillips Head Screws (10-24 x 1/2", self tapping). The shelves may need to be shifted slightly to line up the holes.
- d) Slide Shelf Support(s) form the end of the shelf.
For shelves with one support -- place the support in the center
For shelves with two supports – evenly space the supports over the length of the shelf.
Phillips Head Screws (10-24 x 1/2") can be used to lock the supports in place. The screws self-tap into the Shelf Support but do not protrude through the shelf.



- e) Fasten the shelf assembly to the Mounting Brackets with Phillips Head Screws, (10-24 x 1/2", self-tapping).



Making Workspace Work ® is a trade mark of Lista International Corporation

Creation Date: 3-1-08

Document Number: MD002A3 rev. 7

This document is proprietary information of Lista International Corporation. Unauthorized reproduction of any portion of this document is prohibited without written consent of Lista International Corporation. The material in this document is for informational purposes only. It is subject to change without notice.

© 2008 Lista International Corporation

106 Lowland Street

Holliston, MA 01746-2094

E-mail: sales@listaintl.com

All rights reserved

For questions or technical support call **1-800-722-3020**

 **LISTA**
making workspace work®